

ATW SERIES **ATW** Economy Check Weighing Scales

- 24mm LCD display, with white color LED backlight
- 4 keys embossed membrane keyboard
- Function include zero, tare, check weighing, and weighing units conversion
- Battery provide up to 90 hours of continuous use

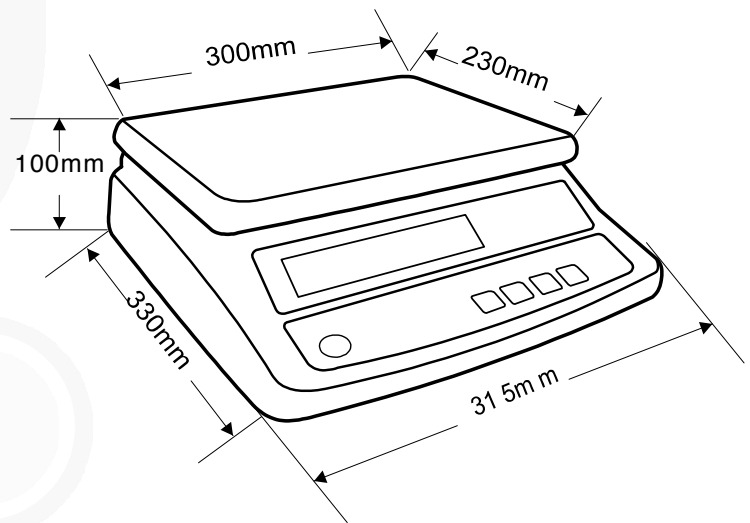
OPTIONS

- RS-232 interface can connect to computer, LP-50 label printer or TP uP mini printer



ATW SERIES

DIMENSION(mm)



Model	ATW-3	ATW-6	ATW-15	ATW-30
Capacity	3kg	6kg	15kg	30kg
Division	0.2g	0.5g	1g	2g
Platform size	300 x 230 mm			
Display	24mm LCD display			
Power	AC adapter(9V/800mA), Internal rechargeable battery(6V/4Ah)			
Keys	4			