



QCC SERIES COIN COUNTING SCALES

TECHNICAL DATA

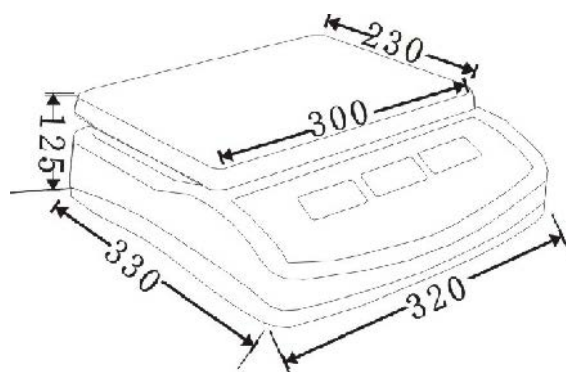


- ◆ External resolution ..1/30,000
- ◆ Display20mm LCD display
With white color LED backlight
- ◆ Pan size230mm×300mm
- ◆ Keyboard20 keys
- ◆ Operate temp.. .. .0°C ~ +40°C
- ◆ ADCsigma delta
- ◆ ADC update. ≤ 1/10 second
- ◆ Internal counts ..600,000
- ◆ Rating AC adapter (9V/800mA)
Internal rechargeable battery (6V/4Ah)
90 hours

FEATURES

- ◆ Counts all Australian Coins
- ◆ 20mm Backlight LCD Display
- ◆ Rechargeable battery operation
- ◆ Function include password security lock to change coin/token values, /tokens, Gives indication of total number of coins and value, Can total several batches giving total value
- ◆ Battery provide up to 90 hours of continuous use
- ◆ Optional RS-232C communication port
- ◆ QCC 30 Coins only

DIMENSIONS (mm)



SPECIFICATIONS

MODEL	QCC
Capacity	30 kg x 1 g
Display	20mm LCD display with white color LED backlight
Keyboard	20 keys embossed membrane keyboard
Pan size	230mm x 300mm
Gross weight	5.1kg

Models and specifications to change without notice