

SW-II Weighing Scales



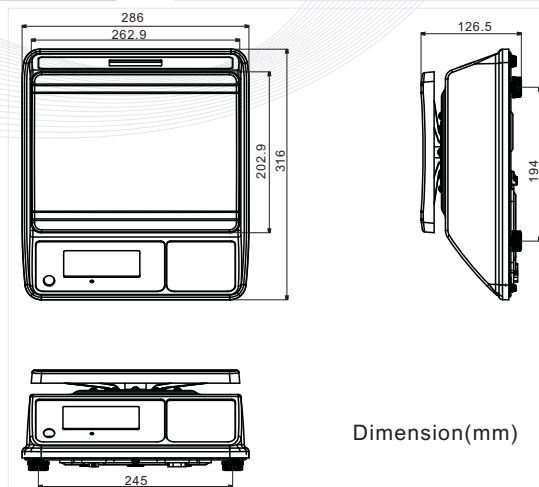
► Features:

- 25mm LCD display(LED backlight)
- Capacities from 3kg to 30kg
- 3 mechanical switch keys
- Select weighing unit(kg/U₂)
- Standard rechargeable battery
- Battery provide up to 70 hours of continuous use (without backlight)

► Options:

- 15mm rear display

► Specification:



Dimension(mm)

Model	SW-II			
Display	25mm LCD display(LED backlight)			
Capacity	3kg	6kg	15kg	30kg
Readability	0.1g	0.2g	0.5g	1g
Max. Divisions	30,000d			
Keyboard	3 mechanical switch keys			
Housing	ABS plastic			
Pan size	200mm x 260mm			
ADC	Sigma delta			
ADC update	≤1/10 second			
Operate Temp	0°C~ +40°C			
Power	AC adapter (12V/500mA), internal rechargeable battery (6V/3.2Ah)			
Gross weight	2.78kg			