

T20/T28 SERIES WEIGHING SCALE



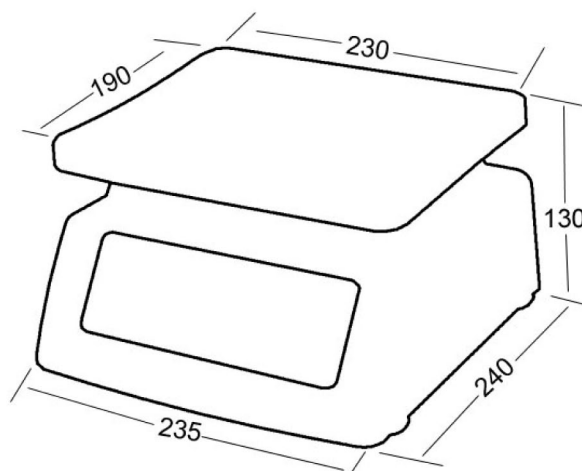
► FEATURES

- 25mm LCD display , with white color LED backlight
- Dry battery powered (T20)
AC adapter/rechargeable battery powered (T28)
- Selectable weighing unit (kg/lb)
- Standard SST pan
- Waterproof housing designed, rugged and dependable
- Battery provide up to 90 hours of continuous use (T28)

► OPTIONS

- Optional Rear display (only T28)

► DIMENSION (mm)



► SPECIFICATIONS

Model	T20	T28
Display	25mm LCD display, With white color LED backlight	
Operate temp	0°C~+40°C	
Internal counts	80, 000	600, 000
ADC update	≤1/10 second	
Housing	ABS plastic Pan: SST	
Max. Divisions	3, 000d	15, 000d
Power	AC adapter (9V/800mA) or Dry battery (size Dx3)	AC adapter (9V/800mA) or Rechargeable battery (6V/4Ah)
Keypad	3 keys embossed membrane keyboard	
Capacities	3kg/6kg/15kg/25kg	
Gross weight	3. 2kg	3. 5kg