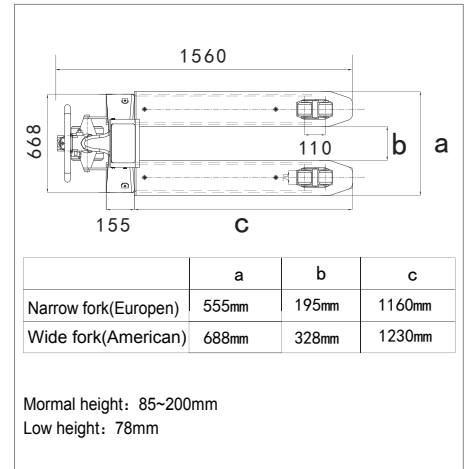
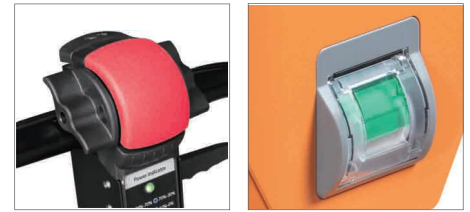


TPS-A Electric Pallet Scales



Features

- Equipped with a power system** to help move and save effort, can go forward or backward
- Integrated** pallet truck and scale at one device, save time and cost
- Function include:** net/gross, change weighing unit, pretare, accumulation
- Optional thermal printer**, print width 50mm, speed up to 50mm/s
- PRE-TARE function** for manual deduction of a known container weight (e.g. pallet, mesh crate etc.)
- Check the weighing capacity** which is in use at the press of a button (net/gross weight)

- 85mm Low fork height**, narrow (555mm) or wide (688mm) fork selectable
- Pivot range** 180°
- Castors:** Solid rubber on aluminum rims
- 3 Load rollers:** Tandem tyres to overcome thresholds and obstacles more easily

Technical Data

- Display:** LCD display, digit height 52 mm, with white color LED backlight
- Operation temperature:** -10 °C/40 °C
- Power:** Rechargeable battery pack internal, Lead acid battery 6V/10Ah for Scale

- Output DC54.6V/3A adapter, lithium Battery 48V/20Ah for motor
- Dimension:** 1630x 555(688 for wide fork version) x 1210 mm
- Powered Speed:** ≤ 5km/h, battery life: 5-27km
- Net weight:** 170kg
- Motor charging time:** 5~6 hours
- Powered Climb:** ≤ 20°

Accessories

- Built in thermal printer

Standard



Factory option



Model	Weighing Capacity [Max]t	Readability [d]kg	Verification value [e]kg	Minimal load [Min]kg
TPS-A-1t	1	0.5	0.5	10
TPS-A-2t	2	1	1	20